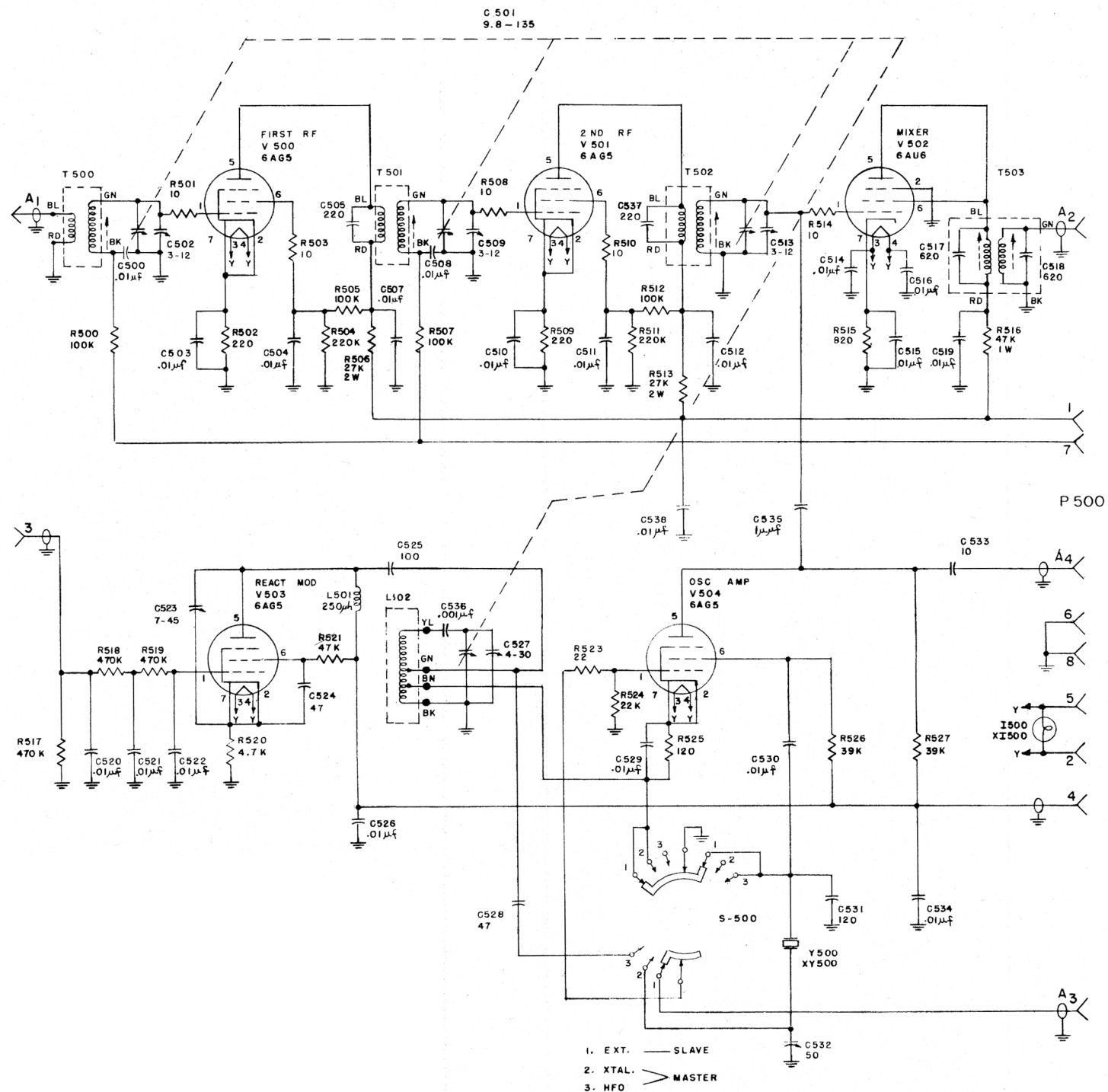
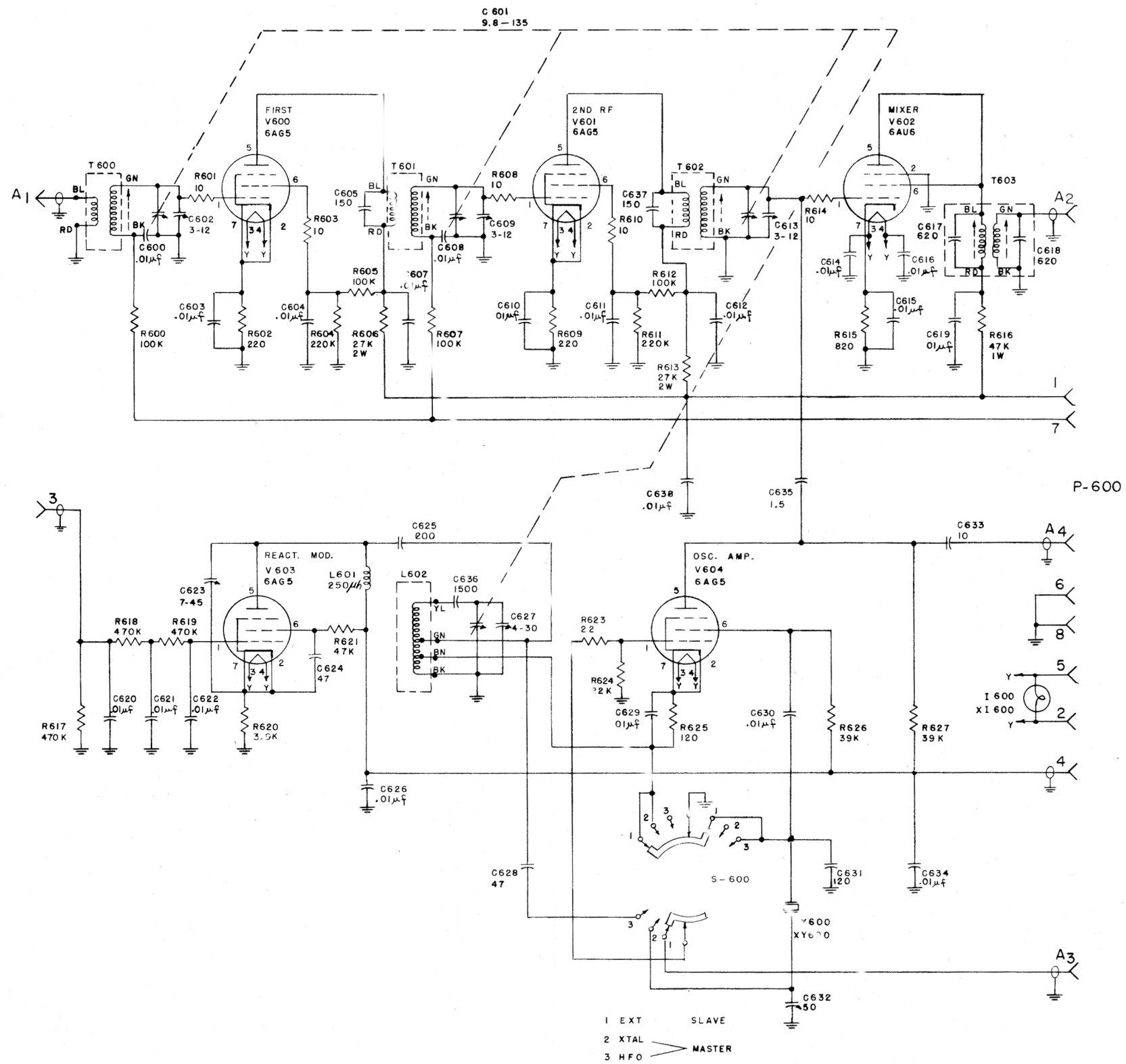


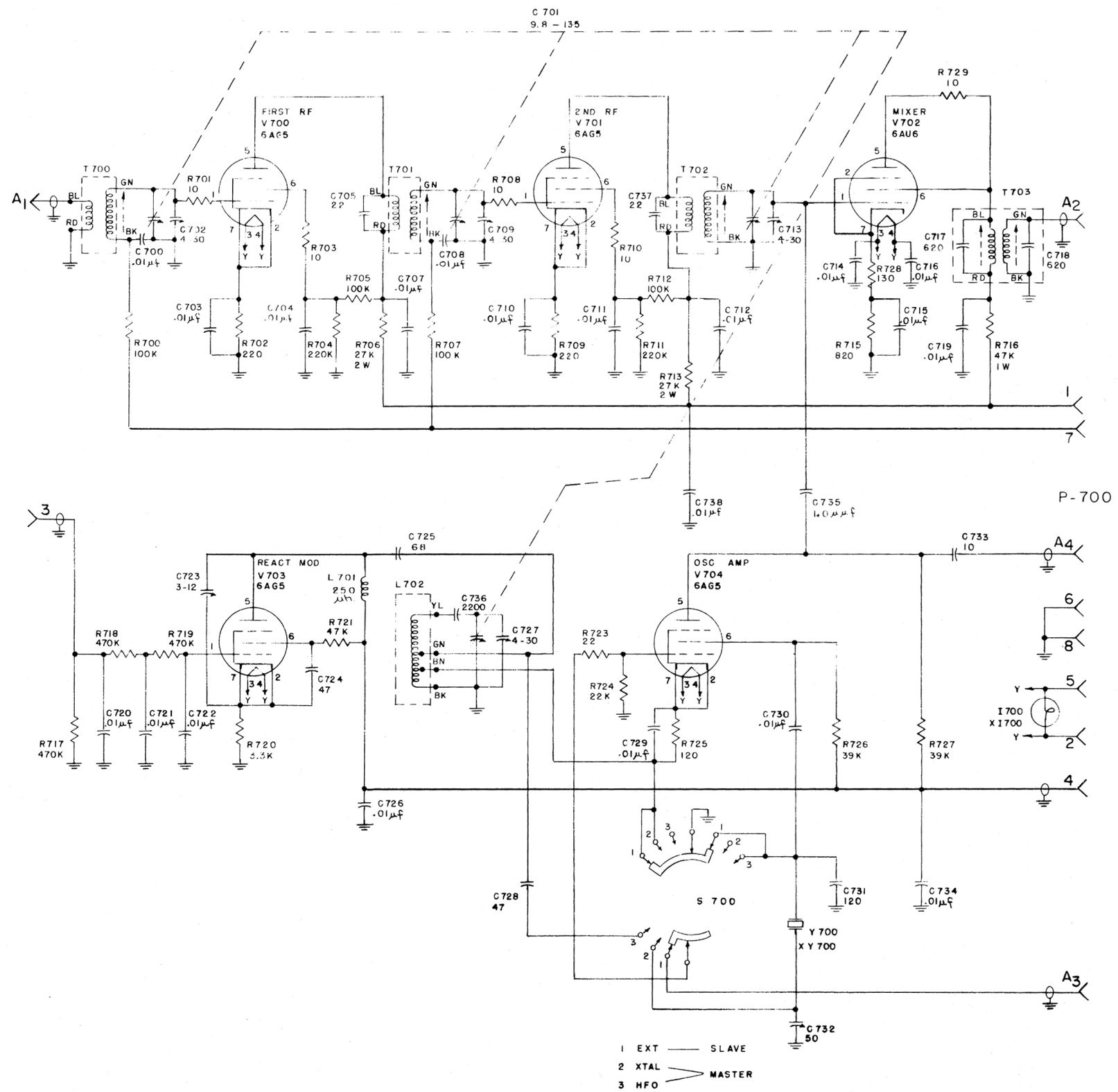
SCHMATIC DIAGRAM, MODEL FFR-2 AND FFRD-8



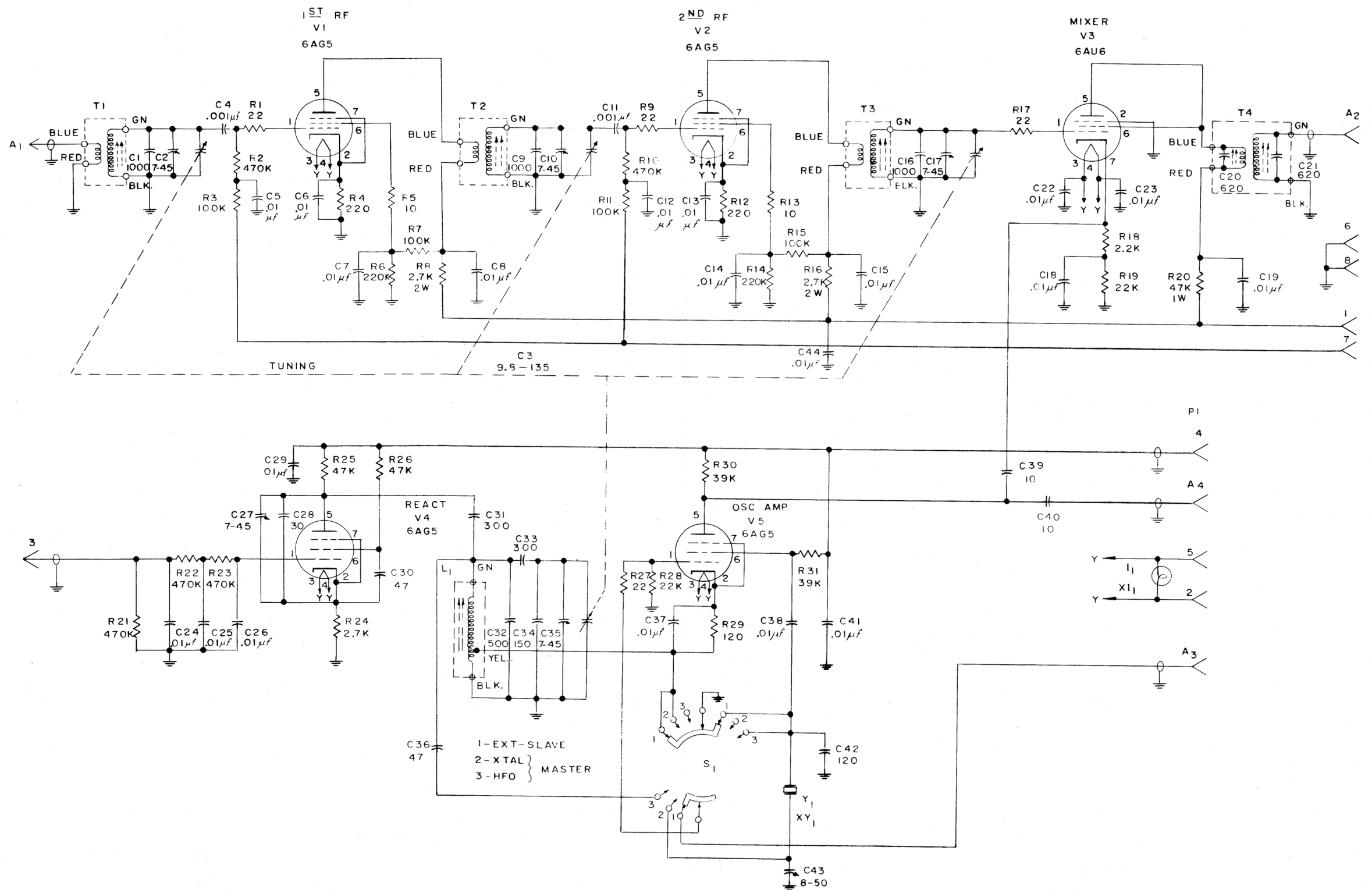
RANGE: 2-4 Mcs



RANGE: 4-8 Mcs



RANGE: 8-17 Mcs



RANGE: 500 Kcs